

M2I Corporation



Industrial HMI Touch Panel

TOPRX Series

Hardware Manual

Thank you for purchasing the industrial HMI touch panel series of M2I corporation.

Please read this manual carefully to know installing, wiring, operating this equipment for safe use of this product.





Contents

| | |
|---|----|
| Chapter 1 Safety Precautions..... | 3 |
| Chapter 2 Overview | 5 |
| 2.1 Introduction of Products..... | 5 |
| 2.2 Package Contents..... | 5 |
| 2.3 Explanation of Model name | 5 |
| Chapter 3 General Specifications | 6 |
| 3.1 Electrical Specifications | 6 |
| 3.2 Memory Specifications..... | 6 |
| 3.3 Environment Specifications..... | 6 |
| 3.4 Structure Specifications | 6 |
| Chapter 4 Parts Identification and Functions..... | 7 |
| 4.1 TOPRX05/08 Series | 7 |
| 4.2 TOPRX10/12/15 Series | 9 |
| Chapter 5 Interface | 11 |
| 5.1 Serial Communication Specifications | 11 |
| 5.2 Ethernet Interface | 12 |
| 5.3 USB Interface | 13 |
| Chapter 6 Installation | 13 |
| 6.1 Installation Requirements | 13 |
| 6.2 Installation Procedure..... | 14 |
| Chapter 7 Wiring | 15 |
| 7.1 Power wiring | 15 |
| 7.2 Ground wiring | 16 |
| Chapter 8 Maintenance | 17 |
| 8.1 Cleaning the Display | 17 |
| 8.2 Periodic Check Points..... | 17 |
| 8.3 Problems with the Device..... | 17 |
| 8.4 Setting System Recovery Mode..... | 17 |
| Chapter 9 Products and Warning Label Location | 18 |
| 9.1 TOPRX05/08 Series | 18 |
| 9.2 TOPRX10/12/15 Series | 18 |
| Chapter 10 Products Label..... | 19 |
| 10.1 AC Power Models | 19 |
| 10.2 DC Power Models..... | 19 |

Chapter 1 Safety Precautions







■ Before using the product

To use the product safely and effectively, please read the contents of this manual thoroughly before use. Please keep to the safety precaution, for it is to prevent accidents and potential danger from occurring. Safety precaution is classified into 'Warning' and 'Caution' and their meanings are as follows. Also, the indicated illustrations on the product and in the manual have the following meanings.

| | |
|--|--|
|  Warning | Violating the instruction may result in serious personal injury or death |
|  Caution | Violating the instruction may result in slight personal injury or product damage |
|  | Be cautious, for danger may be present |
|  | Be cautious, for there is a possibility of an electric shock |




■ General Precautions Caution

Do not install the location which exceeds allowed temperature. Product can be damaged or shorten the life. Especially Install environment as below should be avoided.

-  Do not press the screen with a hard or sharp object (awl, screwdriver, pen) with too strong a force. It may cause malfunction of touch due to damage of the front sheet.
-  Do not use or store in an environment with high vibration.
-  Do not allow foreign objects such as water, liquids, or metal powders to enter the product. This may cause breakage or electric shock.
-  Use the radio or mobile phone at least 30cm away from the main unit.
-  Two or fewer bright spots may appear on the LCD screen, and certain areas may appear brighter, but this is not a defect in LCD characteristics.
-  Do not store or operate in direct sunlight. Direct sunlight can change the properties of the LCD.

■ Design Precautions Warning

Install protection circuit on the outside of Products to protect the entire control system when external power supply or Products have problems.

-  As the malfunction & incorrect result of Products could damage the stability of the entire systems and human body, you must install damage preventing interlock circuit such as emergency stop, Protective circuits, positioning upper and lower limit switch and interlock for forward/reverse operation.
-  When computer or other controllers communicate and exchange data with products or change operation mode of products, set up protective sequence program in PC or Controller for protecting system from communication error.
-  The in/output signal or communication lines should be separated from the power line or high-tension wire. They should be installed 100mm (3.94 Inch) or more from each other.

■ Wiring Precautions **⚠ Warning**

- ❗ Be sure the wiring is done correctly by checking the product’s rated voltage and the terminal layout. Incorrect wiring could result in fire, damage or malfunctions.
 - ❗ Tighten the terminal screw with the specified torque. If the screws of terminal are loose, it could result in short circuit, fire, malfunctions.
- FG Terminal must be used a dedicated ground. Not doing so could result in malfunctions.
- ❗ a. Grounding should be the Class 3 grounding. The cable for grounding should be more than 2mm².
 - ❗ b. grounding point be closed to the products and make short the distance to the ground cable if possible.

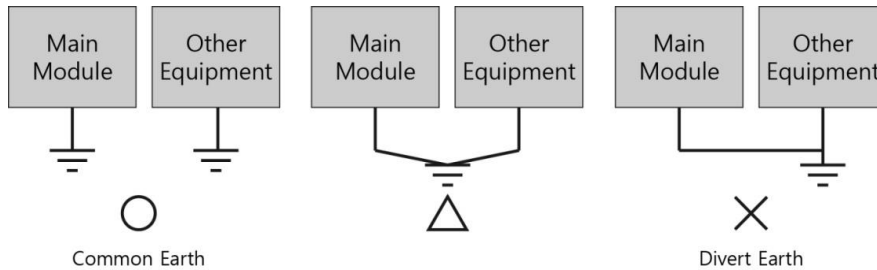


Fig. Grounding Example Diagram

■ Installation Precaution **⚠ Caution**

- Do not install the location which exceeds allowed temperature. Product can be damaged or shorten the life. Especially Install environment as below should be avoided.
- ⊘ Do not Install product to the place which the ambient temperature is out of limits, from 0°C to 50°C or on the surface of control board which high pressure equipment is installed.
 - ⊘ Do not install to the place where strong shock or vibration continuously have impacted on product.

■ Disposal Precaution **⚠ Caution**

When you dispose of product and battery, please treat it as industrial waste. It can create poisonous substances or explosion.

■ Battery Specification **⚠ Caution**

MS920SE Battery is not replaced by the user.

| Item | Content |
|-------------------|---|
| Battery Voltage | DC 3.0V |
| Battery Model | MS920SE (Lithium / Rechargeable) |
| Battery lifetime | Permanent (In case of ambient temperature 25°C) |
| Battery Discharge | Last about 7 days After turn it off |

*Depending on the model specifications are subject to change.

- All field-wiring connections to this unit shall be from Limited Voltage / Limited Current, below 24Vdc isolated secondary source with an output fuse, or Class 2 secondary circuits.

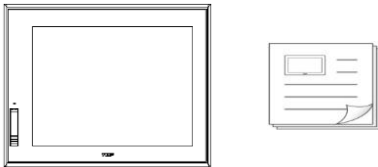




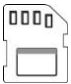

Chapter 2 Overview

2.1 Introduction of Products

This industrial HMI touch panel is an industrial control device required in industrial field. It is a device based on RS-232C and RS-422/485, Ethernet which is used for the basic purpose of communication with another device(PLC).

2.2 Package Contents

Package contents of TOPRX Series are below. please make sure that all of components are in the package Series before using TOPRX.

| Item | Figure | Quantity |
|--|--|--------------|
| Process Module and User Manual |  | 1 each |
| Clamp |  | 4 |
| Power Connector and COM3 Communication Connector |  | 1 each |
| Accessories (Sold separate) |  USB Memory  USB Cable  SD Card  Tint Protect Sheet | User Options |

2.3 Explanation of Model name

| TOPRX | □□ | □□ | □ | □ |
|--------|--------------|--------------|-------------------|-------|
| Series | Display Size | Option | Resolution | power |
| | 05: 5.6" | 00: Standard | Q: QVGA (320*240) | A: AC |
| | 08: 8.4" | 10: Premium | V: VGA (640*480) | D: DC |
| | 10: 10.4" | | S: SVGA (800*600) | |
| | 12: 12.1" | | X: XGA (1024*768) | |
| | 15: 15" | | | |

Chapter 3 General Specifications

3.1 Electrical Specifications

| | | |
|-----------------------|----------------|-------------------------|
| Input Voltage | TOPRX□□□□□A | AC 100~240V, 50/60Hz |
| | TOPRX□□□□□D | DC 20~28V |
| Consumption Power | TOPRX05 Series | 12W or less |
| | TOPRX08 Series | |
| | TOPRX10 Series | 15W or less |
| | TOPRX12 Series | |
| | TOPRX15 Series | |
| Voltage endurance | TOPRX□□□□□A | AC 85/170V, Within 10ms |
| | TOPRX□□□□□D | DC 24V, Within 10ms |
| Insulation Resistance | | 500V DC, 10 MΩ |

3.2 Memory Specifications

| | |
|-----------------|---|
| Screen Memory | 128MB |
| Backup Memory | 512KB: System buffer (10K Word), Including Alarm/Log/Recipe |
| Backup Period | Permanent |
| Real Time Clock | Built in (by Battery) |

3.3 Environment Specifications

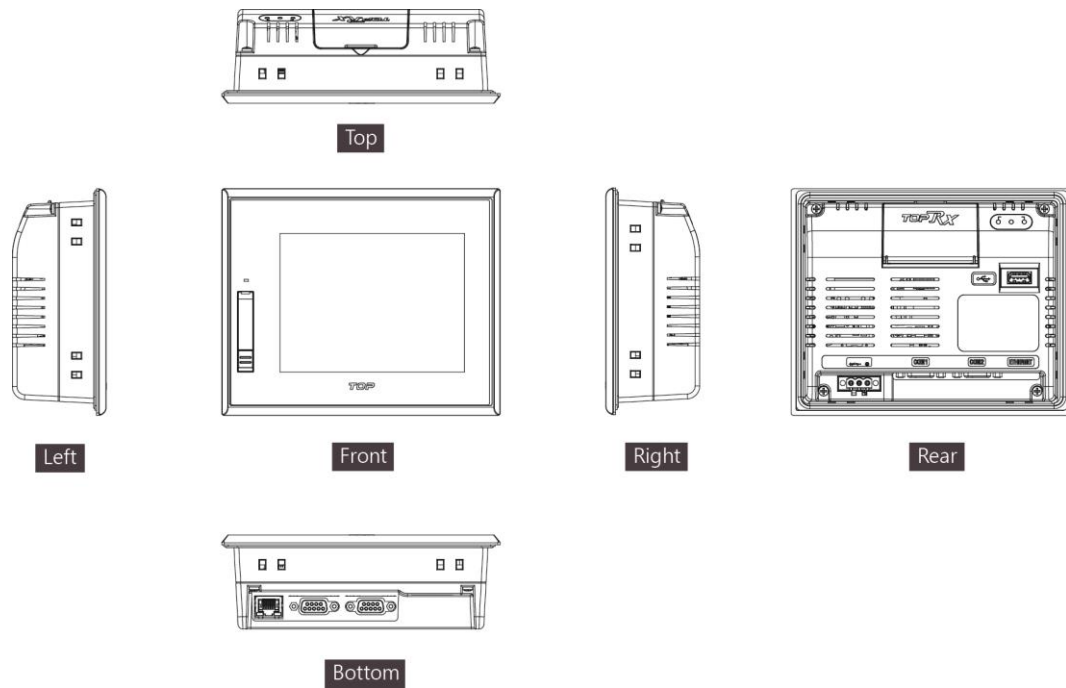
| | |
|------------------------------|--|
| Operation Temperature (°C) | -10 ~ +50 |
| Storage Temperature (°C) | -20 ~ +60 |
| Operation Humidity (%RH) | 0 ~ 90 (No dew) |
| Atmosphere | No corrosive gas |
| Vibration Endurance | Amplitude: 10≤F < 25 Hz(2G) X,Y,Z each direction(for 30 minutes) |
| Noise Immunity | 1000Vp-p(Pulse width 1 μs) |
| Static Electricity Discharge | Connective discharge from EN61000-4-2: ±4 kV |
| Shock Endurance | 10G X,Y,Z each direction(for 3 times) |
| Surge Voltage | 500V(Line-Line) |
| Ground Connection | Class 3(Under 100Ω) |
| Protection Classification | Conform to IP65 |

3.4 Structure Specifications

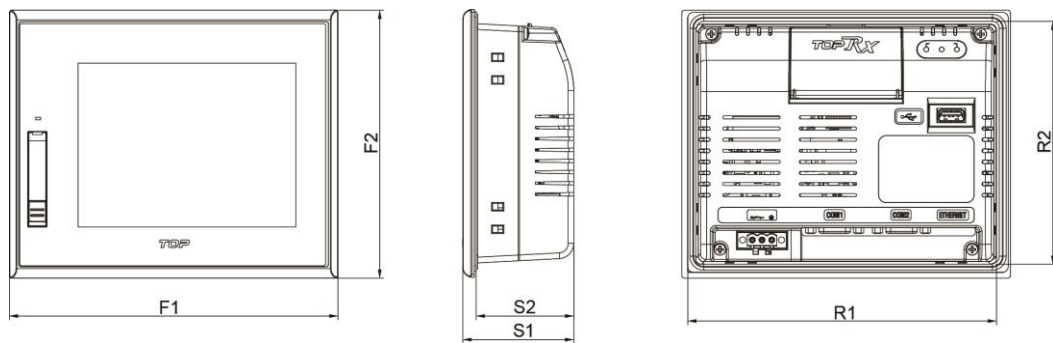
| | TOPRX05 | TOPRX08 | TOPRX10 | TOPRX12 | TOPRX15 |
|----------------|-------------------------|---------|---------|---------|---------|
| Weight (Kg) | 0.62 | 1.06 | 1.68 | 2.18 | 2.78 |
| Cooling System | Natural air circulation | | | | |
| Case Material | PC(Flameless) | | | | |

Chapter 4 Parts Identification and Functions

4.1 TOPRX05/08 Series



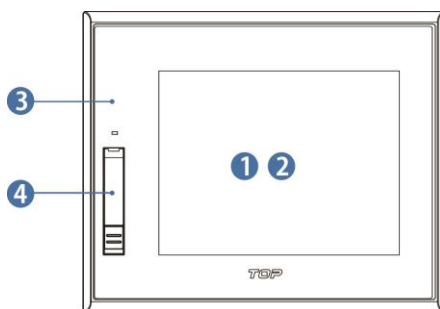
4.1.1 External Dimension



(mm)

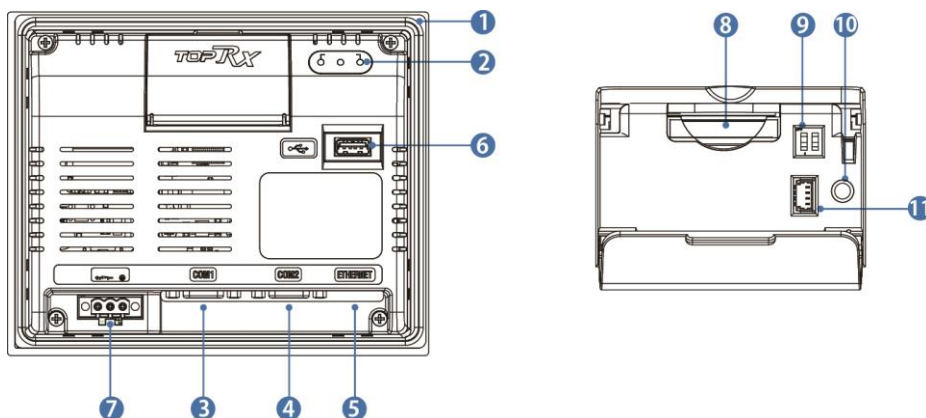
| Model | F1 | F2 | S1 | S2 | R1 | R2 |
|---------|-----|-----|------|------|-----|-----|
| TOPRX05 | 172 | 140 | 58 | 51 | 157 | 125 |
| TOPRX08 | 236 | 182 | 58.9 | 52.9 | 221 | 167 |

4.1.2 Front Part Names and Specifications



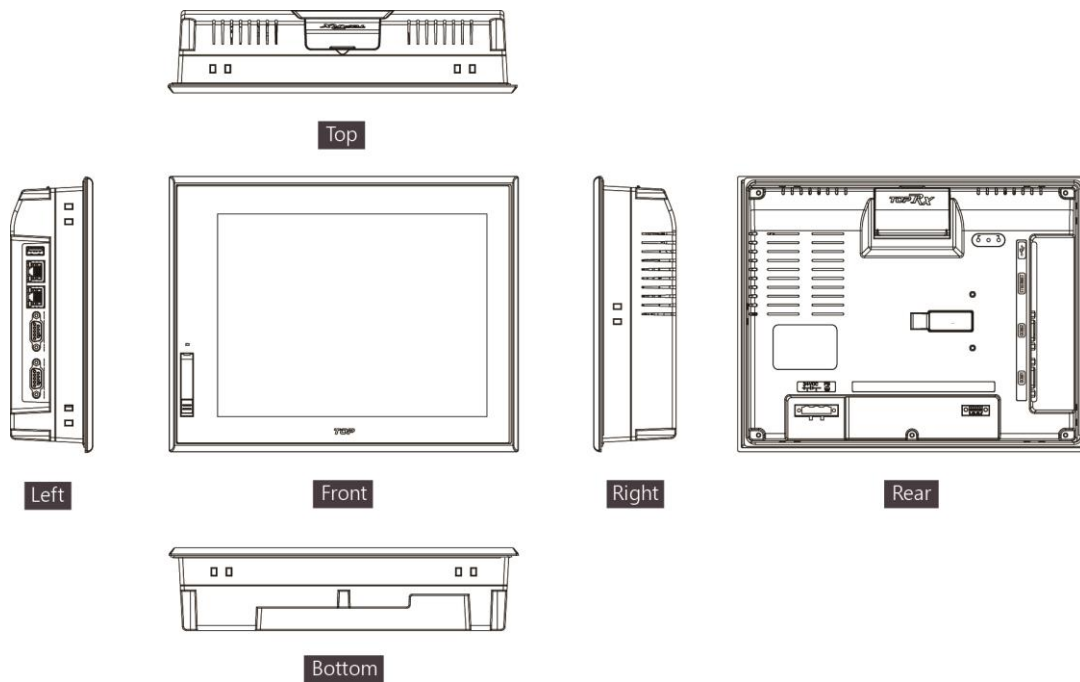
| No. | Part | Description |
|-----|-------------|---|
| ① | LCD | TFT 16M Color LCD |
| ② | Touch Panel | Analog Touch |
| ③ | Front Sheet | Front Cover Sheet for Damp Proof and Dust Proof |
| ④ | USB Port | USB Download/Upload Port |

4.1.3 Rear Part Names and Specifications

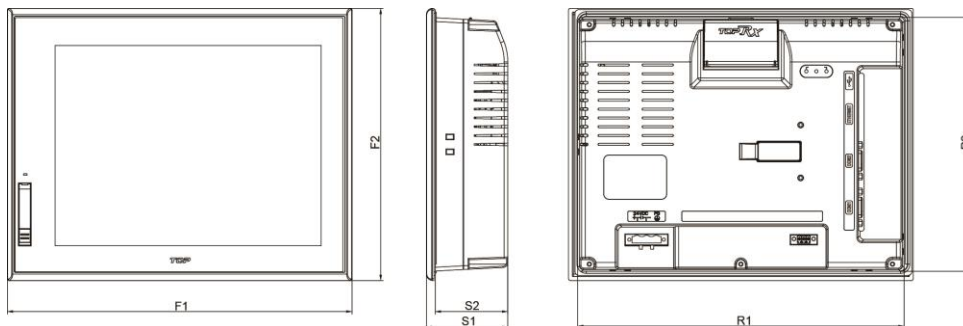


| No. | Part | Form | Description |
|-----|----------------------|--------------------|---|
| ① | Rubber Packing | - | Silicone Gasket for Impact Buffering and IP Securing for Wall Mounting |
| ② | Status LED | 3 | Status of Power, Communication and CPU |
| ③ | COM1 Connector | DSUB9 | RS-232C/422/485 Serial Comm. with PLC (Switchable the Comm. Via Software) |
| ④ | COM2 Connector | DSUB9 | RS-232C/422/485 Serial Comm. with PLC (Switchable the Comm. Via Software) |
| ⑤ | ETHERNET Connector | RJ45 | 10BASE-T/100BASE-TX, Auto-MDIX |
| ⑥ | USB | Type A | USB Connectors for Storage Options |
| ⑦ | Power Input Terminal | TB 5mm,3P | Power Supply of Main Unit |
| ⑧ | SD Card Cover | Plastic Cover | SD Card , Reset Switch , Mode Switch included |
| ⑨ | Mode Switch | DIP Switch 2Digit. | Set Up System Mode |
| ⑩ | Reset Switch | Tact Switch | System Reset Switch |
| ⑪ | Diagnose Connector | 2mm 4P | Diagnose System (Manufacturer Only) |

4.2 TOPRX10/12/15 Series



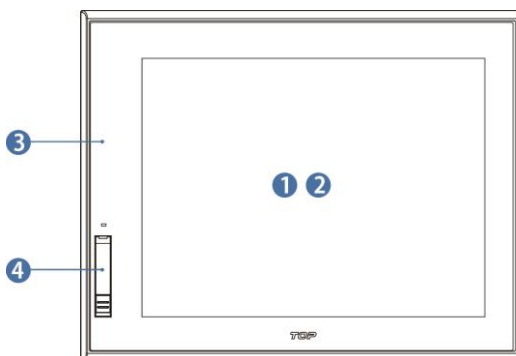
4.2.1 External Dimension



| Model | F1 | F2 | S1 | S2 | R1 | R2 |
|---------|-----|-----|------|------|-----|-----|
| TOPRX10 | 274 | 216 | 64.7 | 58.7 | 259 | 201 |
| TOPRX12 | 320 | 261 | 64.7 | 58.7 | 305 | 246 |
| TOPRX15 | 369 | 300 | 67.2 | 61.2 | 354 | 285 |

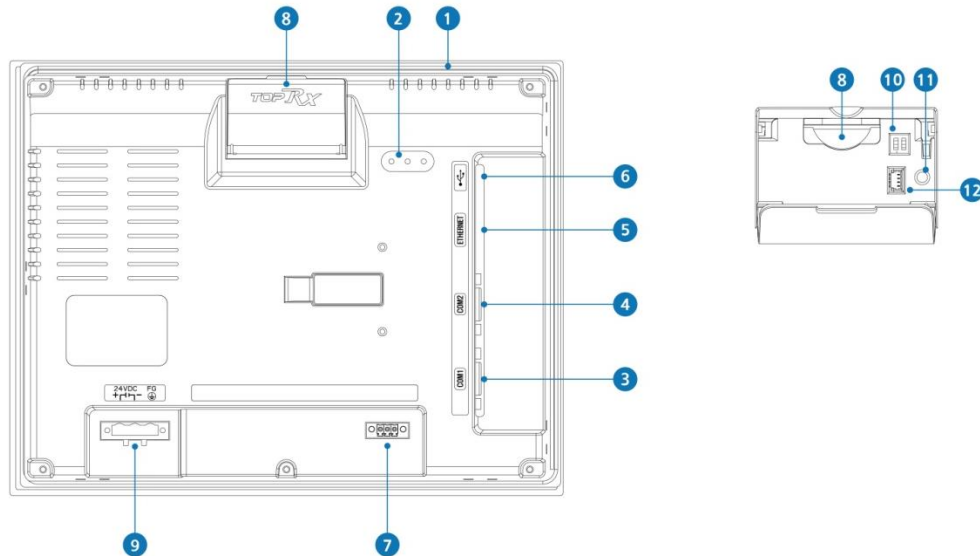
(mm)

4.2.2 Front Part Names and Specifications



| No. | Part | Description |
|-----|-------------|---|
| ① | LCD | TFT 16M Color LCD |
| ② | Touch Panel | Analog Touch |
| ③ | Front Sheet | Front Cover Sheet for Damp Proof and Dust Proof |
| ④ | USB Port | USB Download/Upload Port |

4.2.3 Rear Part Names and Specifications



| No. | Part | Form | Description |
|-----|----------------------|--------------------|--|
| ① | Rubber Packing | - | Silicone Gasket for Impact Buffering and IP Securing for Wall Mounting |
| ② | Status LED | 3 | Status of Power, Communication and CPU |
| ③ | COM1 Connector | DSUB9 | RS-232C/422/485 Serial Comm. with PLC (Switchable the Comm. Via Software) |
| ④ | COM2 Connector | DSUB9 | RS-232C/422/485 Serial Comm. with PLC (Switchable the Comm. Via Software) |
| ⑤ | ETHERNET Connector | RJ45 | 10BASE-T/100BASE-TX, Auto-MDIX |
| ⑥ | USB | Type A | USB Connectors for Storage Options |
| ⑦ | COM3 Connector | TB 3.5mm 3P | RS-485 Serial Comm. only |
| ⑧ | SD Card Cover | Plastic Cover | SD Card, Reset Switch, Mode Switch included |
| ⑨ | Power Input Terminal | TB 7.6mm,3P | Power Supply of Main Unit |
| ⑩ | Mode Switch | DIP Switch 2Digit. | Set Up System Mode |
| ⑪ | Reset Switch | Tact Switch | System Reset Switch |
| ⑫ | Diagnose Connector | 2mm 4P | Diagnose System (Manufacturer Only) |

Chapter 5 Interface

In order for the main unit to communicate with an external device, it is necessary to connect the two devices by referring to the following.

5.1 Serial Communication Specifications

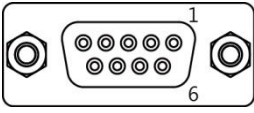
5.1.1 RS-232C

| Items | | Contents |
|------------------------|------------|---|
| Protocol | | Full Duplex |
| Synch | | Asynchronous |
| Communication Distance | | About 15m |
| Type of Connection | | 1:1 |
| Control Code | | ASCII Code or HEXA Code |
| Transmission Speed | | 2400, 4800, 9600, 19200, 38400, 57600, 76800, 115200bps |
| Data Type | Data Bit | 7, 8bit |
| | Parity Bit | NONE, ODD, EVEN Parity |
| | Stop Bit | 1, 2bit |
| Modular Jack | | DSUB 9pin |

5.1.2 RS-422/485

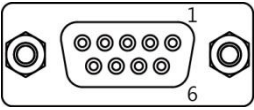
| Items | | Contents |
|------------------------|------------|---|
| Protocol | | Full Duplex / Half Duplex |
| Synch | | Asynchronous |
| Communication Distance | | About 500m |
| Type of Connection | | 1:N (N ≤ 31) |
| Control Code | | ASCII Code or HEXA Code |
| Transmission Speed | | 2400,4800,9600,19200,38400,57600,76800,115200 bps |
| Data Type | Data Bit | 7, 8bit |
| | Parity Bit | NONE, ODD, EVEN Parity |
| | Stop Bit | 1, 2bit |
| Modular Jack | | DSUB 9pin |

5.1.3 COM1 Connector pin number and Signal name


| Type | Pin No. | Signal | Direction | Meaning |
|--|---------|-----------|-----------|----------------------------|
| 9Pin Female  | 1 | RDA(RD+) | Input | RS-422/485 Receive Data(+) |
| | 2 | RD(RxD) | Input | RS-232C Receive Data |
| | 3 | SD(TxD) | Output | RS-232C Send Data |
| | 4 | RDB(RD-) | Input | RS-422/485 Receive Data(-) |
| | 5 | SG | - | Signal Ground |
| | 6 | SDA(SD+) | Output | RS-422/485 Send Data(+) |
| | 7 | VCC*1 | Output | +5V, 0.2A |
| | 8 | VCC GND*1 | - | Power Ground |
| | 9 | SDB(SD-) | Output | RS-422/485 Send Data(-) |

*1 When need VCC for external equipment, use 7.VCC and 8.VCC GND that output is 0.2A.

5.1.4 COM2 Connector pin number and Signal name

| Type | Pin No. | Signal | Direction | Meaning |
|--|---------|----------|-----------|----------------------------|
| 9Pin Female  | 1 | RDA(RD+) | Input | RS-422/485 Receive Data(+) |
| | 2 | RD(RxD) | Input | RS-232C Receive Data |
| | 3 | SD(TxD) | Output | RS-232C Send Data |
| | 4 | RDB(RD-) | Input | RS-422/485 Receive Data(-) |
| | 5 | SG | - | Signal Ground |
| | 6 | SDA(SD+) | Output | RS-422/485 Send Data(+) |
| | 7 | RTS | Output | RS-232C Request to Send |
| | 8 | CTS | Input | RS-232C Clear To Send |
| | 9 | SDB(SD-) | Output | RS-422/485 Send Data(-) |

5.1.5 COM3 Connector pin number and Signal name

| Type | Pin No. | Signal | Direction | Meaning |
|---|---------|--------|-----------|----------------|
|  | 1 | D+ | I/O | RS-485 Data(+) |
| | 2 | D- | I/O | RS-485 Data(-) |
| | 3 | SG | - | Signal Ground |

* Be sure to connect the RD and SD to the RS-232C communication line by crossing each other with a Twisted Pair Cable.

* Please connect SG directly.

* RS-422/485 communication line must use RDA and RDB as Twisted Pair Cable, SDA and SDB as Twisted Pair Cable.

* Do not use shield wire of communication line as signal ground. It may cause communication failure.

5.2 Ethernet Interface

5.2.1 Ethernet

| Item | Specification |
|------------------------|---|
| Ethernet Method | IEEE802.3i/IEEE802.3u, 10BaseT / 100BaseT |
| Speed | 10M / 100Mbps |
| Communication Method | Base Band |
| Switching Method | AUTO MDIX |
| Maximum Segment Length | 100m (Hub between product) |
| Communication Cable | UTP (Unshielded Twisted Pair) |
| Modular Jack | RJ-45 |

5.2.2 RJ-45 Pin Layout

| Type | Pin No. | Color | Signal |
|---|---------|--------------|--------------------------|
|  | 1 | Orange/White | TD+ |
| | 2 | Orange | TD- |
| | 3 | Green/White | RD+ |
| | 4 | Blue | Not Available in 10BaseT |
| | 5 | Blue/White | Not Available in 10BaseT |
| | 6 | Green | RD- |
| | 7 | Brown/White | Not Available in 10BaseT |
| | 8 | Brown | Not Available in 10BaseT |

* When HUB is using, Straight cable should be used.

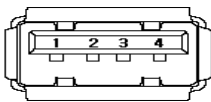
Ex) Straight Cable Wiring: Connect 1:1 according to the wiring diagram above.

* In case of do not using HUB, do not use HUB, when it is connected directly, Cross Cable should be used.

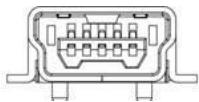
Ex) Cross Cable Wiring: In the above wiring diagram, TD+ and RD+ are changed, and TD- and RD- are exchanged.

5.3 USB Interface

5.3.1 USB Host

| Type | Item | Specification |
|---|----------------------|--|
|  | USB Interface | EHCI/OHCI Specification Version 1.0, USB2.0/1.1 호환 |
| | Communication Method | Control/Bulk |
| | Transfer Speed | 480Mb/s |
| | Support Device | USB Storage (FAT16/FAT32 File Format Available) |
| | Connector Type | Type A(1ch) |

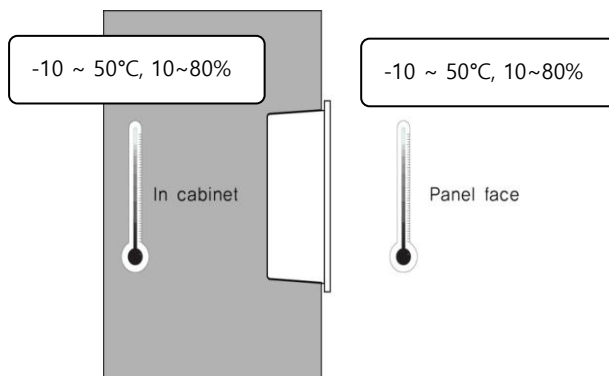
5.3.2 USB Device

| Type | Item | Specification |
|---|----------------------|--|
|  | USB Interface | USB 2.0 |
| | Communication Method | Interrupt/Bulk/Isochronous |
| | Transfer Speed | 480Mb/s |
| | Supporting OS | Windows 98SE/2000/XP/VISTA/710(32/64bit) |
| | Cable Length | M2I manufacturer's cable is recommended (3M), and 1.5M or less when purchased separately |
| | Connect Type | Mini USB B, Female |
| | Connect Method | Front, USB OTG connector |

Chapter 6 Installation

6.1 Installation Requirements

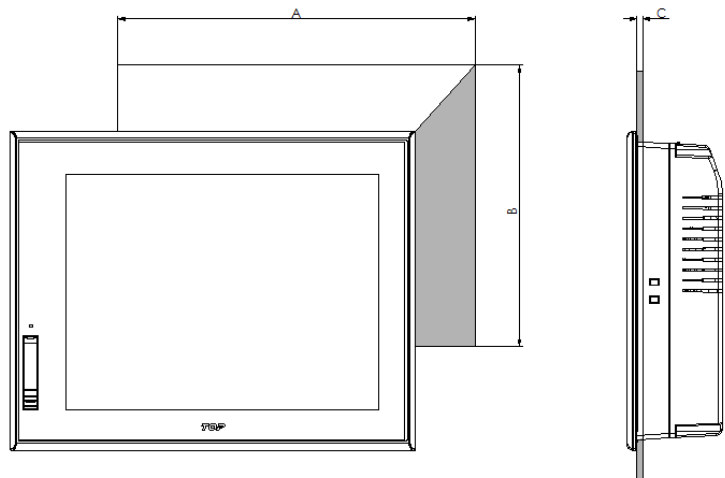
- (1) It should be installed within -10~50°C and 10~80% relative-humidity, otherwise the screen may be changed or cause malfunction and damage.
- (2) Be sure that heat from surrounding equipment does not cause product to exceed its standard operating temperature.
- (3) In order to minimize external mechanical hazards, please control the mechanical hazards of the surrounding environment.



6.2 Installation Procedure Warning

6.2.1 Panel Cut-out

Make a panel cut which product is mounted and insert the TOPRX to the panel from the front side. Making the Panel Cut (Mounting Size) per each TOPRX Series as below Table, Before Installation.



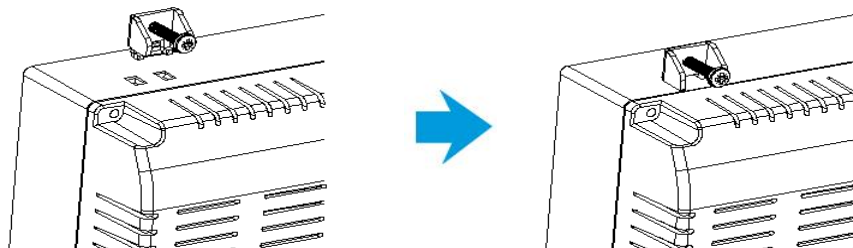
| 모델명 | A | B | C |
|---------|-------------|-------------|-------------|
| TOPRX05 | 158(+1.0/0) | 125(+1.0/0) | 1-5(+1.0/0) |
| TOPRX08 | 222(+1.0/0) | 168(+1.0/0) | |
| TOPRX10 | 260(+1.0/0) | 202(+1.0/0) | |
| TOPRX12 | 306(+1.0/0) | 247(+1.0/0) | |
| TOPRX15 | 355(+1.0/0) | 286(+1.0/0) | |

(mm)

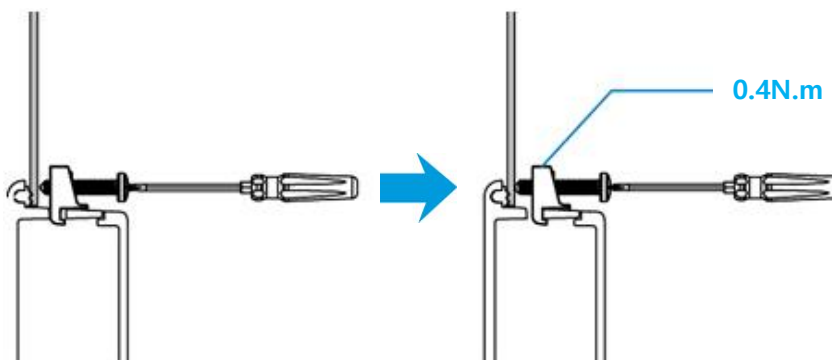
6.2.2 Fixing Warning

Install clamps with this product should be installed as follows to maintain the IP performance of the device.

(1) Insert the clamp into the slot of the product.



(2) Screw the unit into the panel cut with a screwdriver.


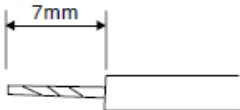


If the screw is over tightened, it may cause the front deformation, thus resulting the touch sensor can't work properly. Tighten the screws to a torque of 0.4N.m.

Chapter 7 Wiring Warning

7.1 Power wiring

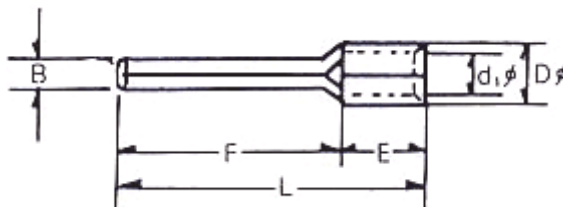
(1) The Power cable should have the following specification.

| | |
|---------------------------|--|
| Power Cable Specification | 0.75~2.5mm ² (18~12AWG) |
| FG Cable Specification | Over 2mm ² (14AWG) |
| Conductor type | Simple or Stranded wire |
| Bolt tightening force | ≥ 0.2N.m  Warning |
| Conductor length |  |

(2) The Power terminal should have the following specification.


The use of the Pin Terminal(ferrule) when installing the power supply and ground terminal is important for maintaining the performance of the device. Failure to install power and ground using the same Pin Terminal(ferrule) as below may cause explosion due to spark due to abnormal cable loss.

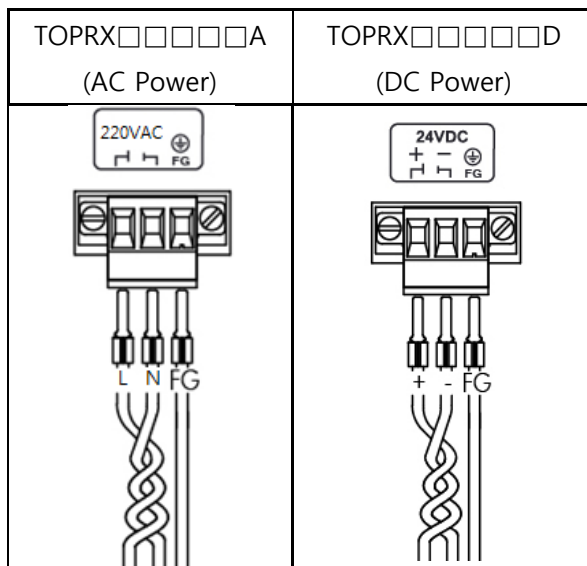
Therefore, please be sure to familiarize yourself with how to use Pin Terminal(ferrule) below.



(mm)

| B | L | F | E | D | d |
|---------|-------|-------|---|---------|-------|
| 1.8~2.0 | 22~18 | 12~14 | 5 | 3.3~3.8 | 2~2.5 |

(3) Wiring of power is as follows.  Warning



7.2 Ground wiring

- (1) The product has enough anti-noise measure, so except that there are many noises. Specially, the ground is not needed. When doing ground, please refer to the followings.
- (2) The ground should be the exclusive ground. The ground should be type class 3 ground (ground resistor is less than 100Ω).
- (3) When not doing the exclusive ground, do common ground like figure B).
- (4) Use the cable more than 2mm². Put the point of the ground near product and shorten Ground line.

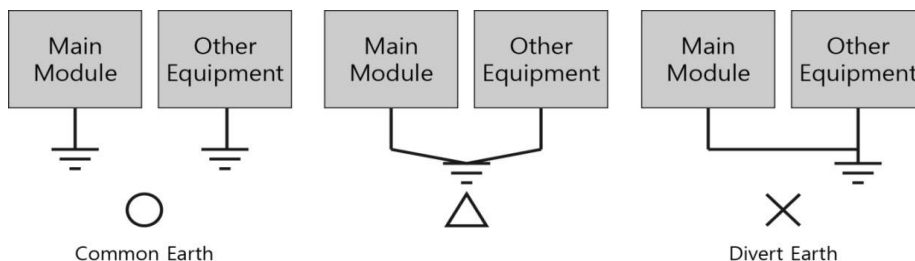


Fig. Grounding Example Diagram

Chapter 8 Maintenance

8.1 Cleaning the Display

When the surface or frame of the display become dirty, spray the cleaning solution onto a soft cloth and wipe the device. Do not spray the cleaning solution directly onto the device.

8.2 Periodic Check Points

Check the followings periodically for best condition of the device.

(1) Environment

- a. Is the operating temperature within the allowable range (-10°C~50°C)?
- b. Is the operating humidity within the allowable range (10%~80% RH)?
- c. Is the Surrounding pollution no corrosive gas?

(2) Power

- a. Is the input voltage within the change range (-15%~+10%)?

(3) Related Items

- a. Check the guarantee duration of LCD Backlight by eye.
- b. Check the touch pad there is no damage, scratch or pollution by eye.

8.3 Problems with the Device

(1) If there is a problem during operation, stop using it and contact the A/S department of M2I Corporation, which is indicated on the product label.

(2) Only the authorized worker from M2I Corporation can check and repair problems related to malfunction of the machine.

(3) If the problem cannot be solved at the installation site, the equipment can be collected and moved to M2I Corporation.

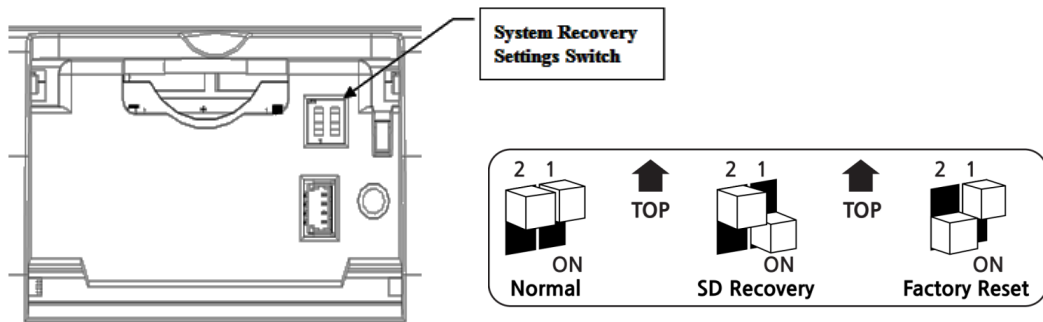
(4) The manufacturer, M2I Corporation, is not responsible for damage or malfunction of the equipment caused by the use conditions of the user beyond the installation and use standards described in the manual.

8.4 Setting System Recovery Mode

(1) If the system fails to boot normally due to a problem during operation, the built-in recovery function can be used to maintain the factory default state. Please note that the built-in project will be deleted when using the recovery mode.

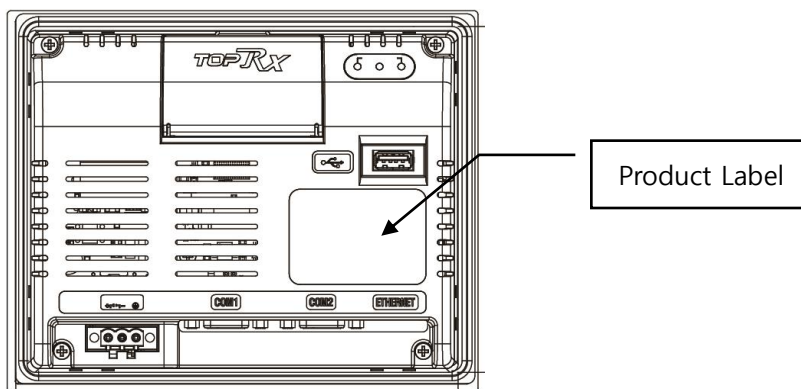
(2) After opening the rear cover, you can adjust the setting switch. Keep the "Normal" state when booting normally. If the system is recovering, turn off the power and set it to "Factory Reset".

(3) When the recovery is completed, the buzzer sounds, then turn off the power and reset to "Normal" state.

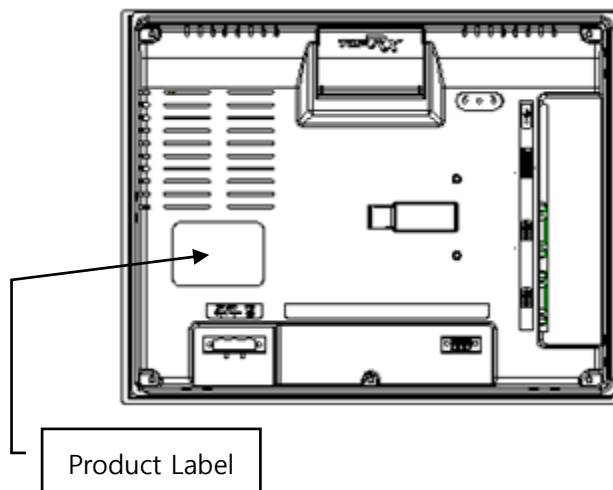


Chapter 9 Products and Warning Label Location

9.1 TOPRX05/08 Series



9.2 TOPRX10/12/15 Series



Chapter 10 Products Label

10.1 AC Power Models



Manufacture (AS): M2I Corporation

11-35, Simin-daero 327beon-gil, Dongan-gu, Anyang-si, Gyeonggi-do 14055, Korea

Tel: 82-31-465-3366

Product Name: Industrial HMI Touch Panel

Model Name: **TOPRX**□□□□□**A**

Operating Temp: $-10^{\circ}\text{C} \leq T_a \leq +50^{\circ}\text{C}$

Power specification: AC 100~240V, 50/60Hz, TOPRX05/08 12W, TOPRX10/12 15W, TOPRX15 18W

Inside Battery: MS920SE (Lithium/ Rechargeable)

KC Certificate NO.: MSIP-REM-PFX- **TOPRX**□□□□□□

Serial Number:

10.2 DC Power Models



Manufacture (AS): M2I Corporation

11-35, Simin-daero 327beon-gil, Dongan-gu, Anyang-si, Gyeonggi-do 14055, Korea

Tel: 82-31-465-3366

Product Name: Industrial HMI Touch Panel

Model Name: **TOPRX**□□□□□**D**

Operating Temp: $-10^{\circ}\text{C} \leq T_a \leq +50^{\circ}\text{C}$

Power specification: 20~28Vdc, Class 2, TOPRX05/08 12W, TOPRX10/12 15W, TOPRX15 18W

Inside Battery: MS920SE (Lithium/ Rechargeable)

KC Certificate NO.: MSIP-REM-PFX- **TOPRX**□□□□□□

Serial Number:

Copyright: M2I Corporation 2024.06

www.m2i.co.kr

- When using M2I equipment, thoroughly read this datasheet and associated manuals introduced in this datasheet, also pay careful attention to safety and handle the module properly.
- Store this datasheet in a safe place so that you can take it out read it whenever necessary.